

ILLUSTRATED PARTS LIST

FOR

SINGER®

MACHINES

20U 73

73B

83

83B

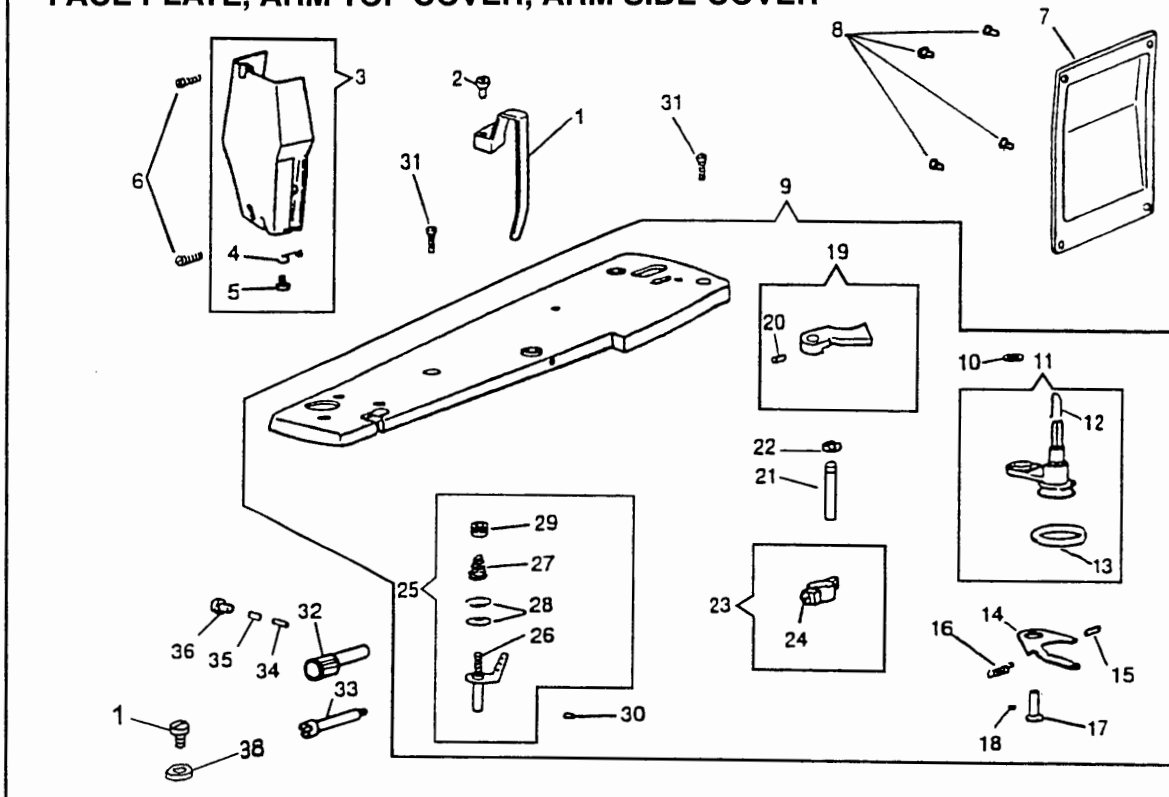
From the library of: Diamond Needle Corp

®A registered trademark of The Singer Company Limited
Copyright©1996 The Singer Company Limited
All Rights Reserved Throughout The World

CONTENTS

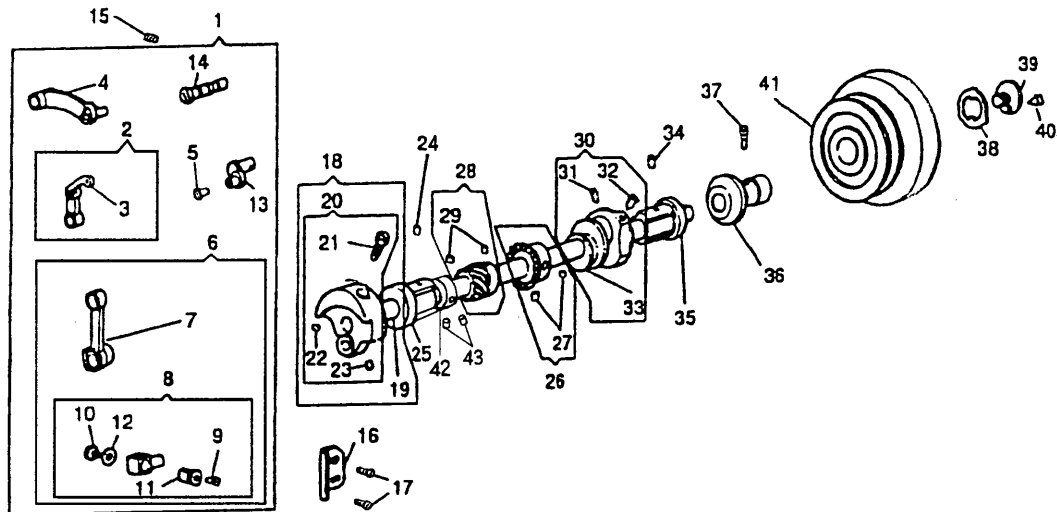
FACE PLATE, ARM TOP COVER, ARM SIDE COVER.	1
THREAD TAKE-UP, ARM SHAFT, HAND WHEEL	2
NEEDLE BAR, PRESSER BAR, THROAT PLATE	3
ZIGZAG TRIANGULAR CAM, HOOK ADVANCING CRANK	4
BIGHT AMPLITUDE, BIGHT AND L-C-R POSITION	5
ARM SHAFT (UPRIGHT), ROTATING HOOK DRIVE SHAFT	6
HOOK, BOBBIN CASE	7
FEED REGULATING DIAL, FEED REVERSE LEVER	8
FEED MECHANISM	9
PRESSER BAR LIFTER, TENSION	10
ACCESSORIES AND ATTACHMENT 1	11
PARTS AVAILABLE AT EXTRA CHARGE	12

FACE PLATE, ARM TOP COVER, ARM SIDE COVER



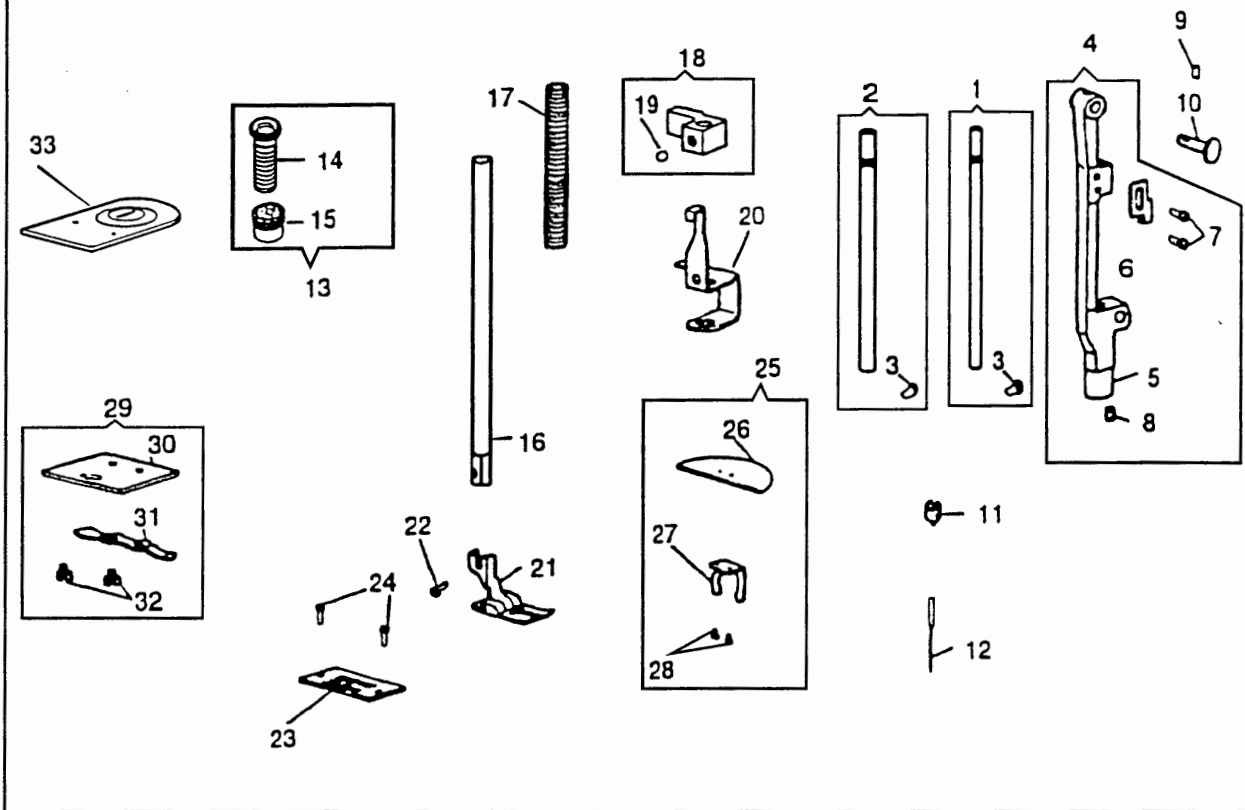
NO.	PART NO.	U73	U73B	U83	U83B	QTY.	DESCRIPTION
1	554113-383	*	*	*	*	1	Thread Take-up Guard
2	606407	*	*	*	*	1	Take-up Guard Screw
3	606395	*	*	*	*	1	Face Plate Comp.
	606395-460		*	*	*	1	
4	606632	*	*	*	*	1	Thread Guide
5	606633	*	*	*	*	1	Thread Guide Screw
6	606634	*	*	*	*	2	Screw
7	554118-385	*	*	*	*	1	Back Cover
	554118-362		*	*	*	1	
8	606635	*	*	*	*	4	Screw
9	606433	*	*	*	*	1	Arm Top Cover Comp.
	606433-460		*	*	*	1	
10	606636	*	*	*	*	1	Thrust Washer
11	606454	*	*	*	*	1	B/W Bracket Comp.
12	606637	*	*	*	*	1	Spring
13	606638	*	*	*	*	1	Friction O-ring
14	606452	*	*	*	*	1	B/W Regulating Plate
15	606453	*	*	*	*	1	Spring
16	606449	*	*	*	*	1	Spring
17	606451	*	*	*	*	1	Hinge Stud
18	606439	*	*	*	*	1	Set Screw
19	550032	*	*	*	*	1	B/W Lever Comp.
20	544208-005	*	*	*	*	1	B/W Lever Set Screw
21	606447	*	*	*	*	1	B/W Lever Stud
22	606448	*	*	*	*	1	B/W Lever Stud Ring
23	606446	*	*	*	*	1	B/W Regulator Comp.
24	544208-005	*	*	*	*	1	B/W Regulator Screw
25	606639	*	*	*	*	1	B/W Tension Comp.
26	606440	*	*	*	*	1	Bobbin Winder Tension Stud
27	606442	*	*	*	*	1	Bobbin Winder Tension Spring
28	606441	*	*	*	*	2	Bobbin Winder Tension Disc
29	606443	*	*	*	*	1	Tension Nut
30	606439	*	*	*	*	1	Screw
31	606602	*	*	*	*	2	Arm Top Cover Screw
32	606398	*	*	*	*	1	Eccentric Lock
33	606397	*	*	*	*	1	Eccentric Comp.
34	554128	*	*	*	*	1	Stopper pin
35	554144	*	*	*	*	1	Stopper Spring
36	544212-001	*	*	*	*	1	Stopper Screw
37	606555	*	*	*	*	1	Screw (Earth)
38	606571	*	*	*	*	1	Washer (Earth)

THREAD TAKE-UP, ARM SHAFT, HAND WHEEL



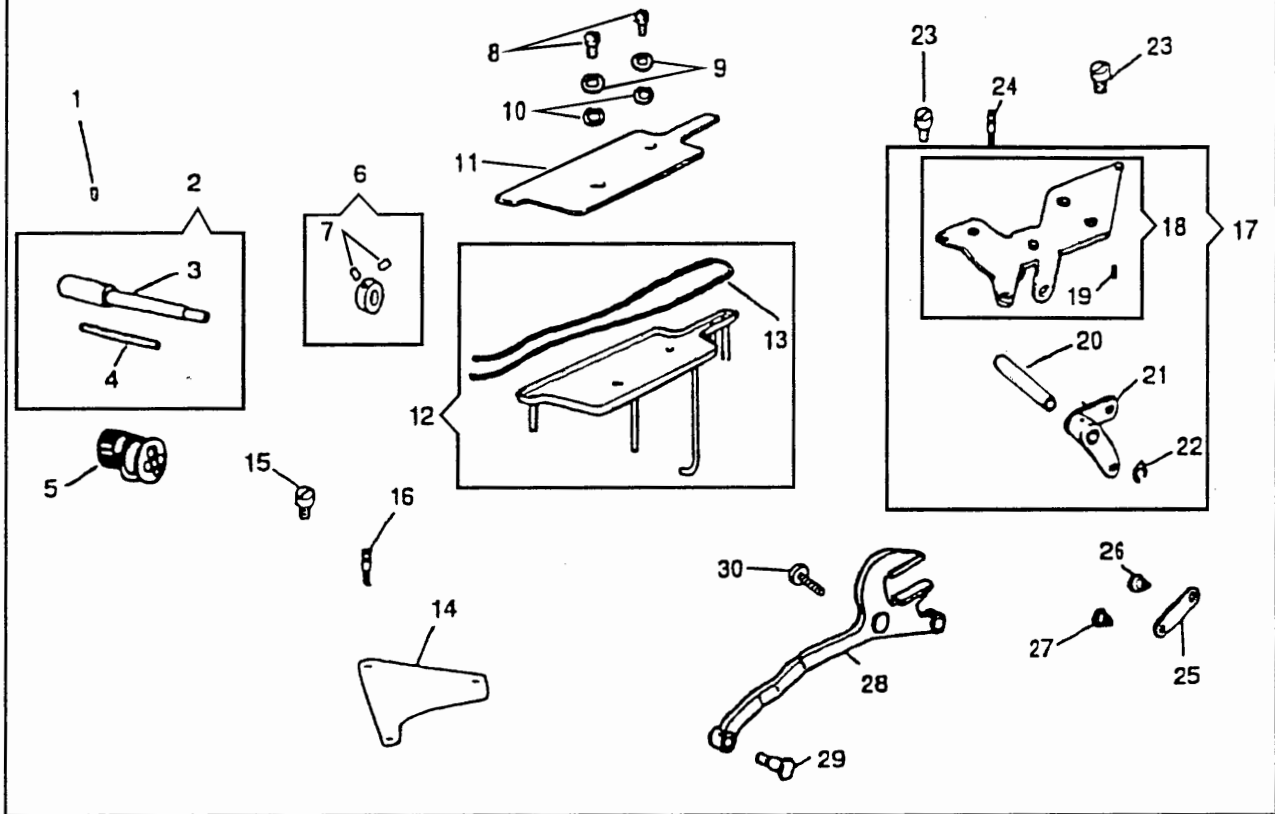
NO.	PART NO.	U73	U73B	U83	U83B	QTY.	DESCRIPTION
1	606640	*	*	*	*	1	Take-up Comp.
2	606475	*	*	*	*	1	Take-up
3	606474	*	*	*	*	1	Take-up Eyelet
4	606641	*	*	*	*	1	Take-up Lever Link
5	606471	*	*	*	*	1	Conn.Link Cap Screw
6	606642	*	*	*	*	1	N/B. Connecting Link Comp.
7	606472	*	*	*	*	1	N/B. Connecting Link
8	606466	*	*	*	*	1	Connecting Stud Comp.
9	606468	*	*	*	*	1	Set Screw
10	606464	*	*	*	*	1	Hinge Pin Screw
11	606467	*	*	*	*	1	Hinge Pin
12	606465	*	*	*	*	1	Pin Washer
13	606473	*	*	*	*	1	Take-up Crank
14	606643	*	*	*	*	1	Hinge Stud
15	606420	*	*	*	*	1	Set Screw
16	606469	*	*	*	*	1	Guide
17	606444	*	*	*	*	2	Screw
18	606644	*	*	*	*	1	Arm Shaft and N/B Crank Comp.
19	606484	*	*	*	*	1	Arm Shaft
20	606478	*	*	*	*	1	N/B. Crank Comp.
21	606477	*	*	*	*	1	N/B Crank Posn.Screw
22	504066	*	*	*	*	1	Position Screw
23	504101	*	*	*	*	1	Crank Posn. Screw
24	606480	*	*	*	*	1	Bushing Set Screw
25	606481	*	*	*	*	1	Front Bush
26	541606	*	*	*	*	1	Bevel Gear Comp.
27	504066	*	*	*	*	2	Bevel Gear Set Screw
28	541607	*	*	*	*	1	Worm Gear Comp.
29	504028	*	*	*	*	2	Worm Gear Screw
30	606483	*	*	*	*	1	Feed Eccentric Comp.
31	606482	*	*	*	*	1	Feed Eccentric Screw
32	606482	*	*	*	*	1	Feed Eccentric Screw
33	606645	*	*	*	*	1	Retaining Ring
34	606480	*	*	*	*	1	Arm Shaft Bushing Screw
35	606485	*	*	*	*	1	Arm Shaft Bushing, back
36	606487	*	*	*	*	1	CSM Flanged Bushing
37	606488	*	*	*	*	1	CSM Bushing Set Screw
38	505009	*	*	*	*	1	CSM Clamp Washer
39	415763-383	*	*	*	*	1	CSM Clamp Screw
40	154756	*	*	*	*	1	CSM Clamp Stop Screw
41	606489	*	*	*	*	1	Handwheel
42	606712	*	*	*	*	1	Retaining Collar comp.
43	606713	*	*	*	*	2	Retaining Collar screw

NEEDLE BAR, PRESSER BAR, THROAT PLATE



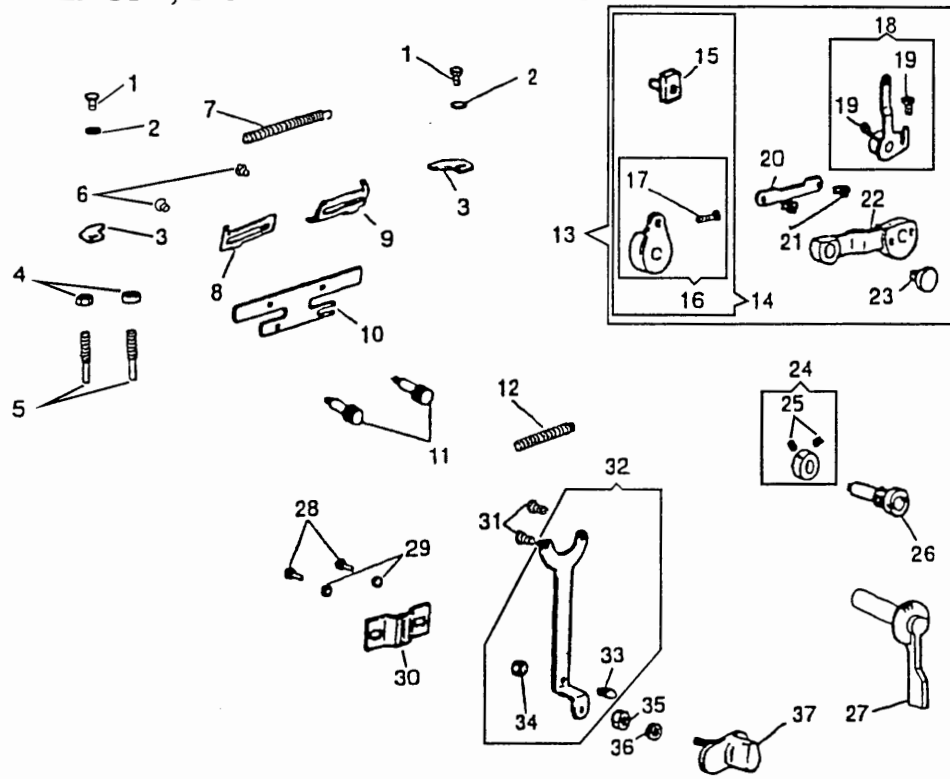
NO.	PART NO.	U73	U73B	U83	U83B	QTY.	DESCRIPTION
1	606646	*	*			1	Needle Bar
2	606461			*	*	1	Needle Bar
3	606463	*	*	*	*	1	Needle Clamp Screw
4	606647	*	*	*	*	1	Needle Bar Frame Comp.
5	606456	*	*	*	*	1	Needle Bar Frame
6	606458	*	*	*	*	1	Indicator Plate
7	606459	*	*	*	*	2	Indicator Plate Screw
8	606457	*	*	*	*	1	Ecc. Pin Set Screw
9	606516	*	*	*	*	1	Set Screw
10	606460	*	*	*	*	1	N/B Frame Pin
11	606462	*	*	*	*	1	Needle Bar Tread Guard
12	N1910-0514	*	*	*	*	1	Needle(size #14)
13	606648	*	*	*	*	1	P/B Thumb Screw & Nut Comp.
14	606592	*	*	*	*	1	Presser Bar Thumb Screw
15	606649	*	*	*	*	1	Presser Bar Thumb Screw Nut
16	606594	*	*	*	*	1	Presser Bar
17	606593	*	*	*	*	1	Presser Bar Spring
18	606600	*	*	*	*	1	Presser Bar Bracket Comp.
19	606599	*	*	*	*	1	Screw
20	606601	*	*	*	*	1	Presser Bar Lifting Bracket
21	606650	*	*			1	Presser Foot Comp.
	606651			*	*	1	Presser Foot Comp.
22	606444	*	*	*	*	1	Presser Foot Screw
23	606652	*	*			1	Needle Plate
	606402			*	*	1	Needle Plate
24	606403	*	*	*	*	2	Needle Plate Screw
25	606653	*	*	*	*	1	Bed Plate Comp.
26	606404	*	*	*	*	1	Bed Plate
27	606405	*	*	*	*	1	Bed Plate Spring
28	606401	*	*	*	*	2	Bed Plate Screw
29	606654	*	*	*	*	1	Slide Plate Comp.
30	606399	*	*	*	*	1	Slide Plate
31	606400	*	*	*	*	1	Slide Plate Spring
32	606401	*	*	*	*	2	Slide Plate Spring Screw

ZIGZAG TRIANGULAR CAM, HOOK ADVANCING CRANK



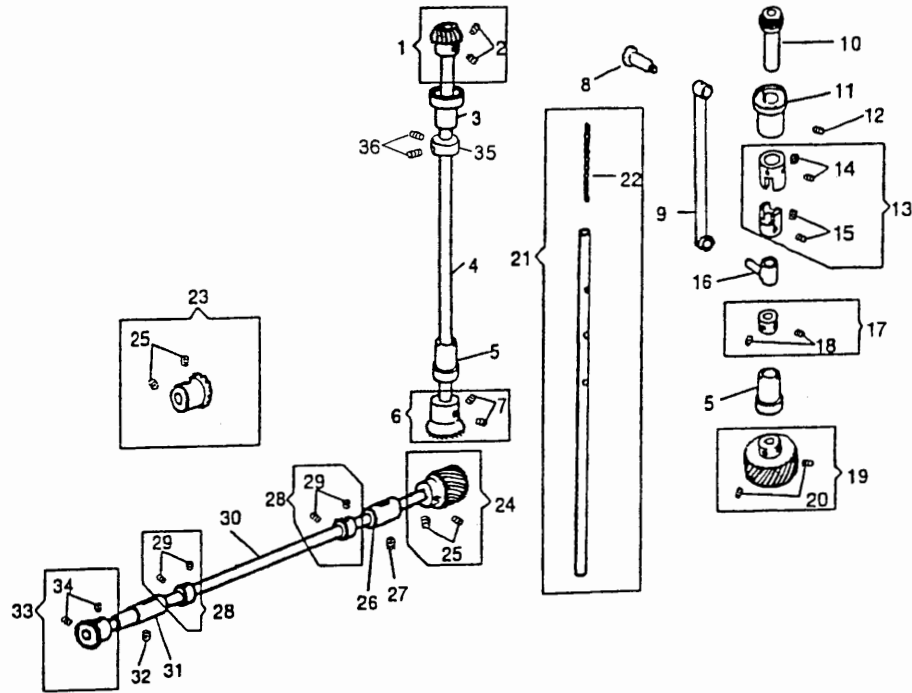
NO.	PART NO.	U73	U73B	U83	U83B	QTY.	DESCRIPTION
1	606420	*	*	*	*	1	Set Screw
2	606539	*	*	*	*	1	Cam Shaft Comp.
3	606655	*	*	*	*	1	Cam Shaft
4	606656	*	*	*	*	1	Cam Shaft Oil Wick
5	410031	*	*			1	Zig Zag Cam and Gear Comp.
	410056			*	*	1	Zig Zag Cam and Gear Comp.
6	606542	*	*	*	*	1	Cam Shaft Collar Comp.
7	606541	*	*	*	*	2	Collar Set Screw
8	606444	*	*	*	*	2	Screw
9	606590	*	*	*	*	2	Spring Washer
10	606589	*	*	*	*	2	Washer
11	606588	*	*	*	*	1	Oil Felt
12	606657	*	*			1	Oil Reservoir Comp.
	606586			*	*	1	Oil Reservoir Comp.
13	606658	*	*			1	Oil Wick
	606587			*	*	1	Oil Wick
14	606659	*	*			1	Oil Reservoir Bracket
15	606660	*	*			1	Set Screw
16	606584	*	*			1	Set Screw(Front)
17	606661			*	*	1	Hook Advancing Bracket Comp.
18	606581			*	*	1	Hook Advancing Crank Bracket
19	606559			*	*	1	Set Screw
20	606580			*	*	1	Hook Advancing Crank Shaft
21	606579			*	*	1	Hook Advancing Crank
22	606578			*	*	1	Snap Ring
23	606662			*	*	2	Set Screw
24	606584			*	*	1	Spring Support
25	606544			*	*	1	Hook Advancing Crank Link
26	606550			*	*	1	Hinge Screw
27	606543			*	*	1	Hinge Screw
28	606663	*	*			1	Zig Zag Stitch Reg. Fork
	606538			*	*	1	Zig Zag Stitch Reg. Fork
29	606545	*	*	*	*	1	Fork Eccentric Connection Pin
30	606664	*	*			1	Slide Block Cap Screw

BIGHT AMPLITUDE, BIGHT AND L-C-R POSITION



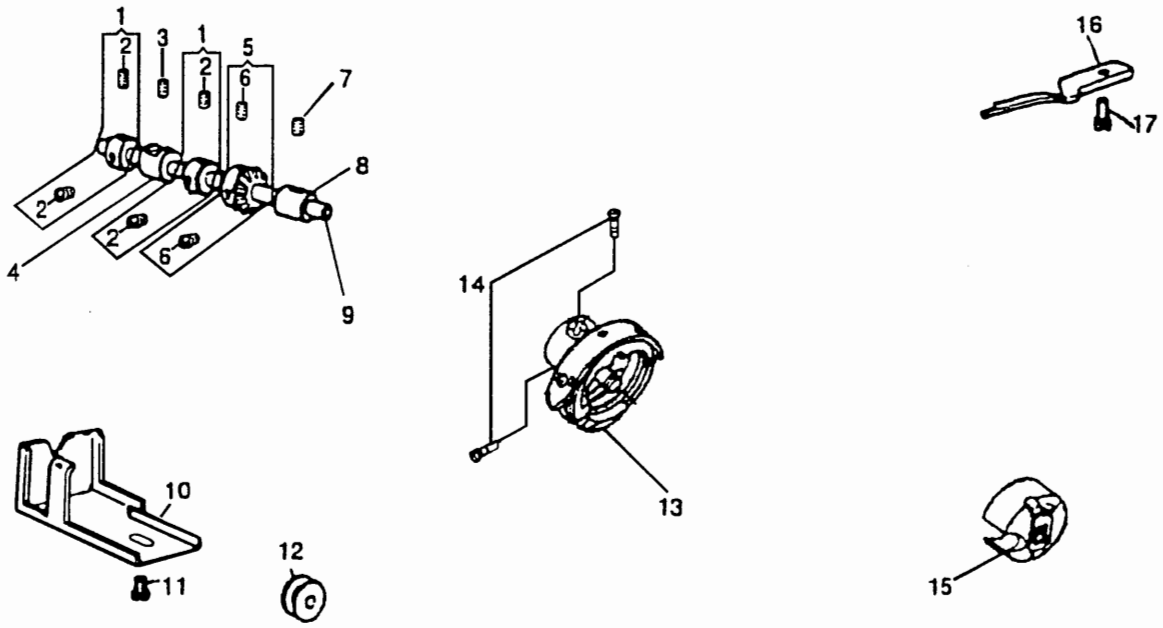
NO.	PART NO.	U73	U73B	U83	U83B	QTY.	DESCRIPTION
1	606511	*	*	*	*	2	Screw
2	606571	*	*	*	*	2	Washer
3	606569	*	*	*	*	2	Stop Plate
4	606554	*	*	*	*	2	Lever Arm Reg.Screw Nut
5	606553	*	*	*	*	2	Lever Arm Reg.Screw
6	606572	*	*	*	*	2	Screw
7	606577	*	*	*	*	1	Spring
8	606575	*	*	*	*	1	Regulating Plate, left
9	606576	*	*	*	*	1	Regulating Plate, right
10	606574	*	*	*	*	1	Reg.Plate Holder
11	606573	*	*	*	*	2	Thumb Screw
12	606556	*	*	*	*	1	Spring
13	606665	*	*	*	*	1	Bight Amplitude Control Mech. Comp.
14	606666	*	*	*	*	1	Bight Amplitude Control Mech. Comp.
14	606667	*	*	*	*	1	Slide Block & Guide Comp.
14	606668	*	*	*	*	1	Slide Block & Guide Comp.
15	606546	*	*	*	*	1	Slide Block
16	606669	*	*	*	*	1	Slide Block Guide Comp.
16	606547	*	*	*	*	1	Slide Block Guide Comp.
17	606670	*	*	*	*	1	Guide Stud Set Screw
18	606557	*	*	*	*	1	Slide Block Crank Comp.
19	606555	*	*	*	*	2	Slide Block Crank Set Screw
20	606549	*	*	*	*	1	Slide Block Crank Link
21	606671	*	*	*	*	2	Hinge Screw
22	606551	*	*	*	*	1	Position Lever Arm
23	606552	*	*	*	*	1	Guide Stud
24	606560	*	*	*	*	1	Collar Comp.
25	606518	*	*	*	*	2	Collar Set Screw
26	606562	*	*	*	*	1	Crank Shaft Bushing
27	554139-383	*	*	*	*	1	Crank Shaft Knob Comp.
28	606564	*	*	*	*	2	Position Block Screw
29	606568	*	*	*	*	2	Position Block Screw Washer
30	606673	*	*	*	*	1	Position Block
30	606563	*	*	*	*	1	Position Block
31	606674	*	*	*	*	2	Position Lever Screw
32	606566	*	*	*	*	1	Position Lever Comp.
33	606565	*	*	*	*	1	Position Lever Screw Pin
34	606675	*	*	*	*	1	Position Lever Screw Pin Nut
35	606675	*	*	*	*	1	Thumb Stud Nut
36	606676	*	*	*	*	1	Thumb Stud Spring Washer
37	554140-383	*	*	*	*	1	Thumb Stud

ARM SHAFT (UPRIGHT), ROTATING HOOK DRIVE SHAFT



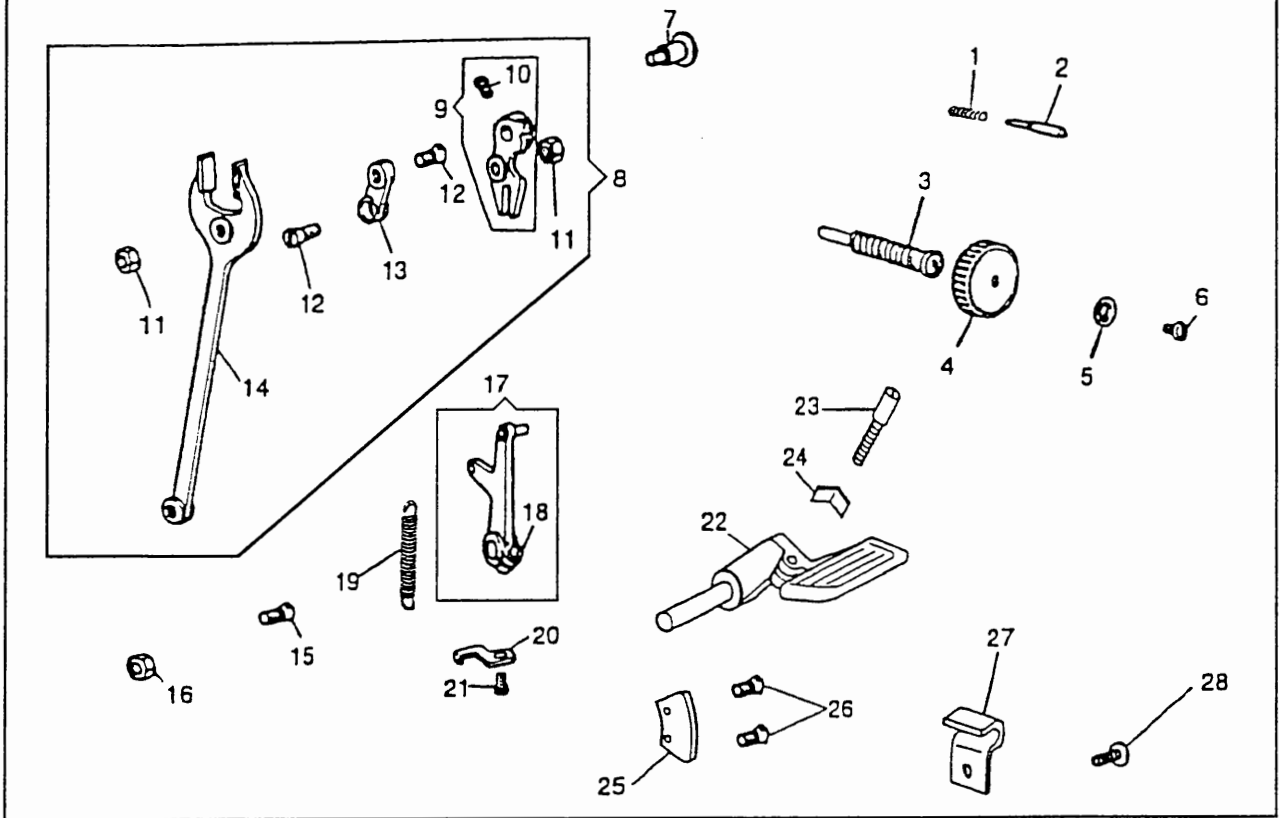
NO.	PART NO.	U73	U73B	U83	U83B	QTY.	DESCRIPTION
1	541610	*	*			1	Bevel Gear Comp.
2	504101	*	*			2	Bevel Gear Set Screw
3	606677	*	*			1	Arm Shaft Bushing, upper
4	606678	*	*			1	Arm Shaft (Upright)
5	606527	*	*	*	*	1	Upright Bushing, lower
6	541609	*	*			1	Bevel Gear Comp.
7	504101	*	*			2	Bevel Gear Set Screw
8	606585			*	*	1	Connection Screw
9	606536			*	*	1	Hook Advance Crank Connecting Rod
10	606535			*	*	1	Bevel Gear
11	606533			*	*	1	Upright Bushing, upper
12	606534	*	*	*	*	1	Bushing Set Screw
13	606679			*	*	1	Clutch Sleeve Comp.
14	504101			*	*	2	Clutch Sleeve Screw
15	504101			*	*	2	Clutch Sleeve Screw
16	606528			*	*	1	Connecting Stud
17	606523			*	*	1	Retaining Collar Comp.
18	504101			*	*	2	Retaining Collar Screw
19	543914			*	*	1	Screw Gear Comp.
20	504101			*	*	2	Gear Set Screw
21	606537			*	*	1	Arm Shaft (Upright) Comp.
22	606680			*	*	2	Arm Shaft Oil Wick
23	541684	*	*			1	Bevel Gear Comp.
24	543944			*	*	1	Screw Gear Comp.
25	504101	*	*	*	*	2	Screw Gear Set Screw
26	606681	*	*			1	Hook Drive Shaft Bushing
	606525			*	*	1	Hook Drive Shaft Bushing
27	606420	*	*	*	*	1	Set Screw
28	606523	*	*			1	Retaining Collar Comp.
	606523	*	*	*	*	2	Retaining Collar Comp.
29	504101	*	*			2	Retaining Collar Screw
	504101			*	*	4	Retaining Collar Screw
30	606682	*	*			1	Hook Drive Shaft
	606526			*	*	1	Hook Drive Shaft
31	606522	*	*	*	*	1	Hook Drive Shaft Bush
32	606420	*	*	*	*	1	Set Screw
33	541685	*	*	*	*	1	Bevel Gear Comp.
34	504101	*	*	*	*	2	Bevel Gear Screw
35	606523	*	*			1	Arm Shaft (Upright) Collar Comp.
36	504101	*	*			2	Arm Shaft (Upright) Collar Screw

HOOK, BOBBIN CASE



NO.	PART NO.	U73	U73B	U83	U83B	QTY.	DESCRIPTION
1	606517	*	*	*	*	2	Hook Shaft Collar Comp.
2	606518	*	*	*	*	4	Hook Shaft Collar Screw
3	606516	*	*	*	*	1	Set Screw
4	606519	*	*	*	*	1	Hook Shaft Bush, short
5	541689	*	*	*	*	1	Bevel Gear Comp.
6	504101	*	*	*	*	2	Bevel Gear Screw
7	606516	*	*	*	*	1	Set Screw
8	606515	*	*	*	*	1	Hook Shaft Bush, long
9	606520	*	*	*	*	1	Hook Shaft
10	606410	*	*	*	*	1	Gear Shield
11	606444	*	*	*	*	1	Screw
12	606513	*	*	*	*	1	Bobbin
13	606683	*	*	*	*	1	Rotating Hook Comp.
	606514	*	*	*	*	1	Rotating Hook Comp.
14	606684	*	*	*	*	2	Rotating Hook Set Screw
15	606512	*	*	*	*	1	Bobbin Case Comp.
16	606510	*	*	*	*	1	Hook Position Finger
17	606511	*	*	*	*	1	Position Finger Screw

FEED REGULATING DIAL, FEED REVERSE LEVER

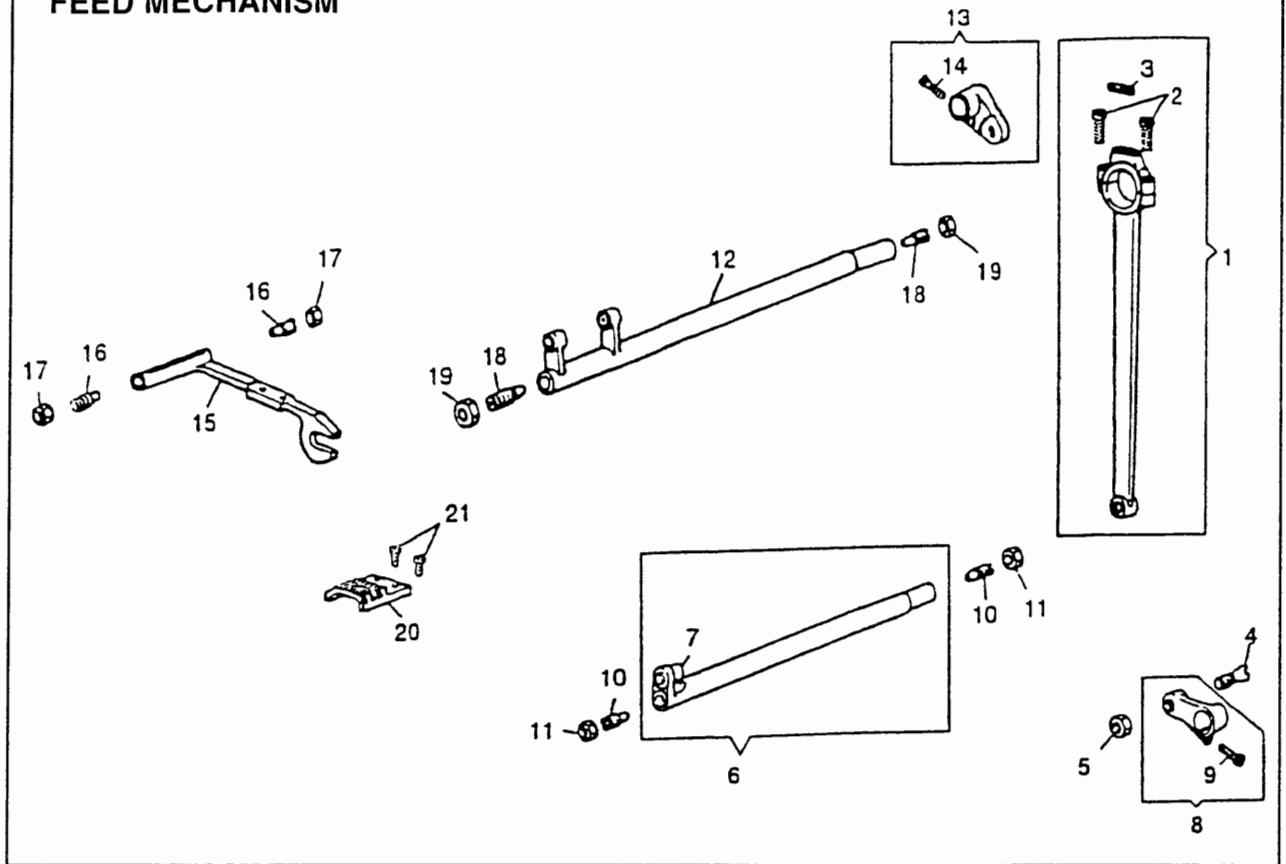


NO.	PART NO.	U73	U73B	U83	U83B	QTY.	DESCRIPTION
1	606618	*	*	*	*	1	Spring
2	606617	*	*	*	*	1	Stud Lock Pin
3	606609	*	*	*	*	1	Feed Regulating Stud
4	554138-383	*	*	*	*	1	Feed Regulation Dial
5	543803-004	*	*	*	*	1	Dial Screw Washer
6	544218-053	*	*	*	*	1	Dial Screw
7	606610	*	*	*	*	1	Hinge Stud
8	606685	*	*	*	*	1	Feed Regulator & Fork Comp.
9	606611	*	*	*	*	1	Feed Regulator Comp.
10	606686	*	*	*	*	1	Screw
11	606494	*	*	*	*	2	Hinge Screw Nut
12	606496	*	*	*	*	2	Hinge Screw
13	606495	*	*	*	*	1	Feed Connecting Link
14	606509	*	*	*	*	1	Feed Fork Connection.
15	606496	*	*	*	*	1	Hinge Screw
16	606494	*	*	*	*	1	Hinge Screw Nut
17	606615	*	*	*	*	1	Reverse Lever Link Comp.
18	606434	*	*	*	*	1	Clamp Screw
19	606612	*	*	*	*	1	Spring
20	606614	*	*	*	*	1	Spring Bracket
21	606602	*	*	*	*	1	Screw
22	554131-467	*	*	*	*	1	Reverse Lever Comp.
23	374564	*	*	*	*	1	Adjusting Screw
24	554134	*	*	*	*	1	Adjusting Screw Friction
25	554136	*	*	*	*	1	Indicator Plate
26	504010-453	*	*	*	*	2	Indicator Plate Screw
27	554135	*	*	*	*	1	Adjusting Screw Stopper
28	554213-001	*	*	*	*	1	Stopper Set Screw

Correction

PAGE	FROM	TO
CONTENTS	ACCESSORIES AND ATTACHMENT 1	ACCESSORIES AND ATTACHMENT 1
P8	No. 28 554213-001	No. 28 544213-001

FEED MECHANISM



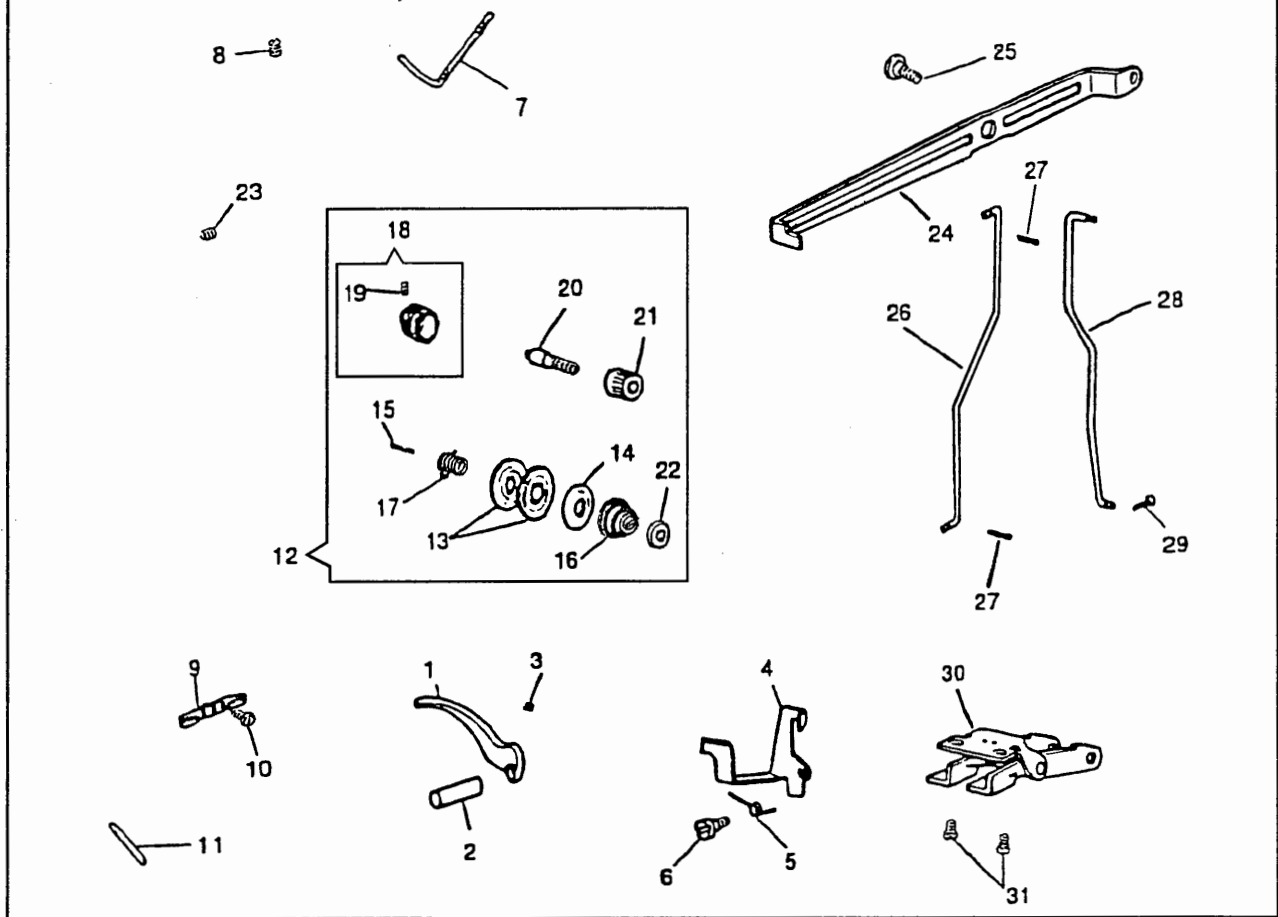
NO.	PART NO.	U73	U73B	U83	U83B	QTY.	DESCRIPTION
1	606493	*	*	*	*	1	Connecting Rod Comp.
2	606434	*	*	*	*	2	Connecting Rod Cap Screw
3	606492	*	*	*	*	1	Oil Felt
4	606496	*	*	*	*	1	Hinge Screw
5	606494	*	*	*	*	1	Hinge Screw Nut
6	606507	*	*	*	*	1	Feed Lifting Rock Shaft Comp.
7	606687	*	*	*	*	1	Roller and Stud
8	606508	*	*	*	*	1	Lifting Rock Shaft Ctank Comp.
9	606500	*	*	*	*	1	Crank Clamping Screw
10	606497	*	*	*	*	2	Screw Center
11	606498	*	*	*	*	2	Screw Center Nut
12	606505	*	*	*	*	1	Feed Rock Shaft
13	606499	*	*	*	*	1	Feed Rock Shaft Crank Comp.
14	606500	*	*	*	*	1	Crank Clamping Screw
15	606506	*	*	*	*	1	Feed Bar
16	606503	*	*	*	*	2	Screw Center
17	606504	*	*	*	*	2	Screw Center Nut
18	606497	*	*	*	*	2	Screw Center
19	606498	*	*	*	*	2	Screw Center Nut
20	606688	*	*	*	*	1	Feed Dog
21	606502	*	*	*	*	1	Feed Dog
	606501	*	*	*	*	2	Feed Dog Screw

Correction

PAGE	FROM	TO
CONTENTS	ACCESSORIES AND ATTACHMENT 1	ACCESSORIES AND ATTACHMENT 1
P9	No. 8 Lifting Rock Shaft Ctank Comp.	No. 8 Lifting Rock Shaft Crank Comp.

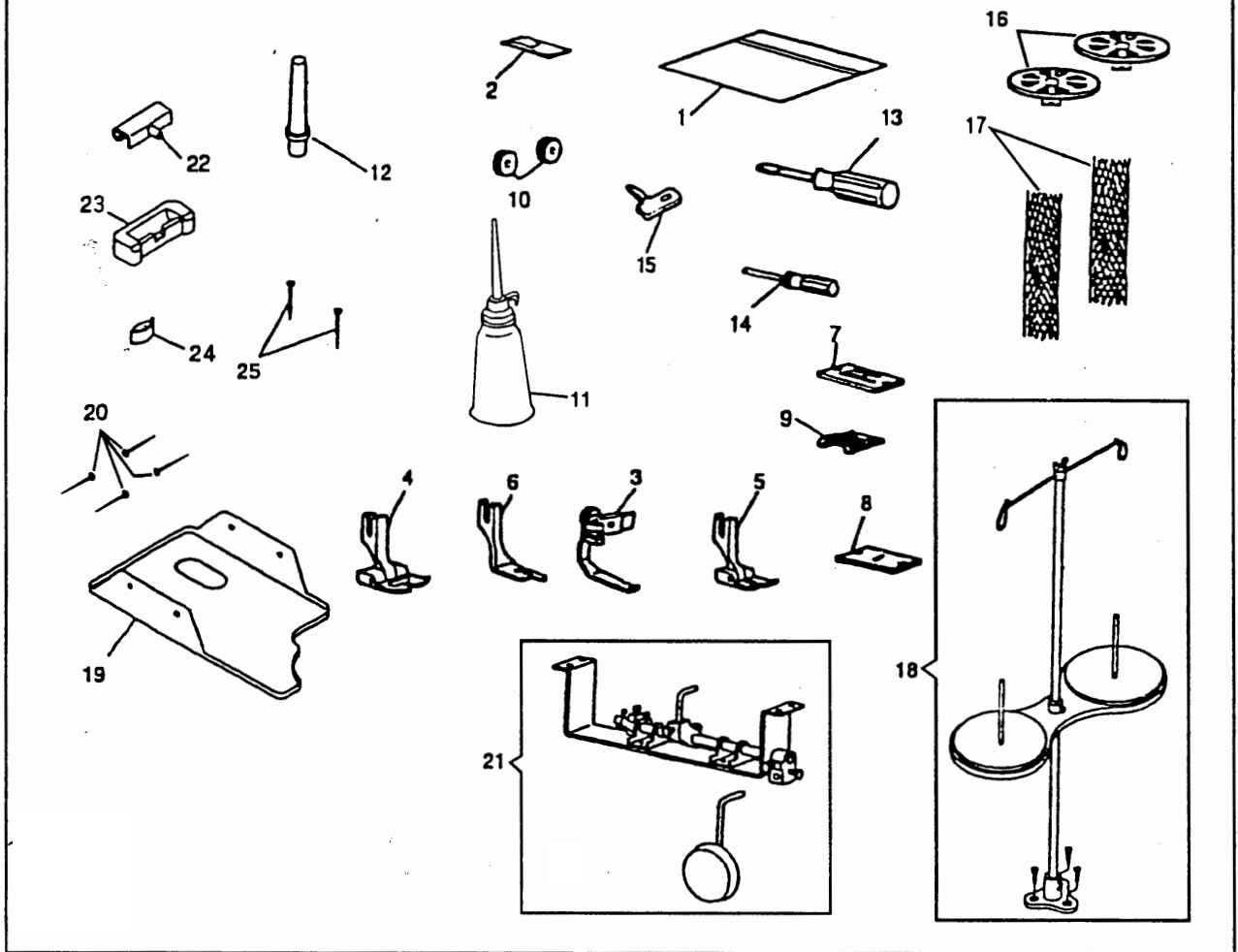
From the library of: Diamond Needle Corp

PRESSER BAR LIFTER, TENSION



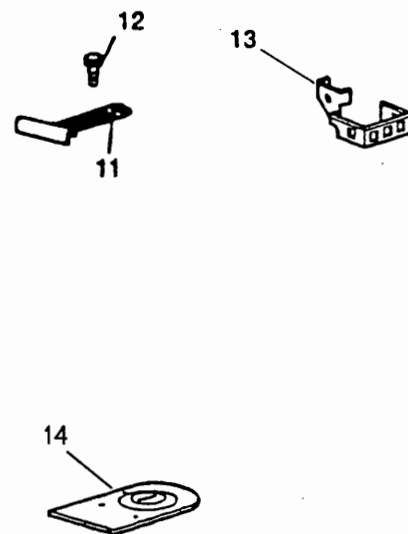
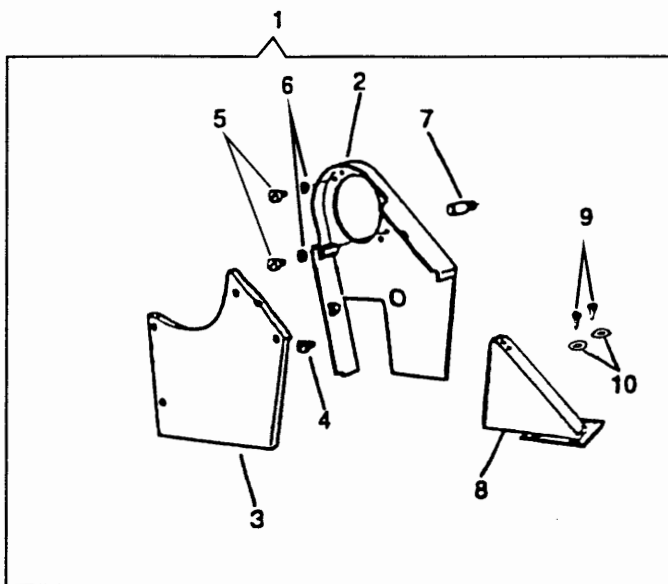
NO.	PART NO.	U73	U73B	U83	U83B	QTY.	DESCRIPTION
1	606598	*	*	*	*	1	Hand Lifter Lever
2	606597	*	*	*	*	1	Hand Lifter Lever Pin
3	606599	*	*	*	*	1	Screw
4	606413	*	*	*	*	1	Tension Release Lever
5	606412	*	*	*	*	1	Tension Release Lever Screw Spring
6	606411	*	*	*	*	1	Tension Release Lever Screw
7	410413	*	*	*	*	1	Thread Retainer
8	606518	*	*	*	*	1	Thread Retainer Screw
9	606416	*	*	*	*	1	Thread Guide
10	606444	*	*	*	*	1	Thread Guide Screw
11	606414	*	*	*	*	1	Thread Guard Pin
12	606689	*	*	*	*	1	Tension Comp.
13	606425	*	*	*	*	2	Tension Disc
14	606426	*	*	*	*	1	Tension Releasing Disc
15	606418	*	*	*	*	1	Tension Release Pin
16	606427	*	*	*	*	1	Tension Spring
17	606422	*	*	*	*	1	Thread Take-up Spring
18	606419	*	*	*	*	1	Tension Base Comp.
19	606421	*	*	*	*	1	Tension Securing Screw
20	606424	*	*	*	*	1	Tension Stud
21	606429	*	*	*	*	1	Thumb Nut
22	606428	*	*	*	*	1	Thumb Nut Washer
23	600420	*	*	*	*	1	Set Screw
24	606607	*	*	*	*	1	Lifting Lever
25	606608	*	*	*	*	1	Hinge Screw
26	606605	*	*	*	*	1	Connecting Rod
27	606604	*	*	*	*	2	Connecting Rod Pin
28	606606	*	*	*	*	1	Connecting Rod
29	606604	*	*	*	*	1	Connecting Rod Pin
30	606603	*	*	*	*	1	Bell Crank Comp.
31	606602	*	*	*	*	2	Screw

ACCESSORIES AND ATTACHMENT 1



NO.	PART NO.	U73	U73B	U83	U83B	QTY.	DESCRIPTION
1	606690	*	*	*	*	1	Accessory Box
2	N1910-0514	*	*	*	*	3	Needle (Size #14)
3	606691	*	*	*	*	1	Zipper Foot
4	606692	*	*	*	*	1	Presser Foot Comp. (for Button Holing)
5	606693	*	*	*	*	1	Presser Foot Comp. (for Straight Stitching)
6	606694	*	*	*	*	1	Hemmer Foot Comp.
7	606695	*	*	*	*	1	Needle Plate (for Straight Stitching)
8	606696	*	*	*	*	1	Needle Plate (for Embroidery)
9	606697	*	*	*	*	1	Feed Dog (for Straight Stitching)
10	606513	*	*	*	*	2	Bobbin
11	606698	*	*	*	*	1	Oiler
12	606699	*	*	*	*	1	Machine Rest Pin
13	606700	*	*	*	*	1	Screw Driver(large)
14	606701	*	*	*	*	1	Screw Driver(Small)
15	606702	*	*	*	*	1	Screw Driver(for Needle Plate)
16	606703	*	*	*	*	2	Thread Unwinder Spool Cap
17	606704	*	*	*	*	2	Thread Unwinder Spool Net
18	606705	*	*	*	*	1	Thread Unwinder Comp.
19	606706	*	*	*	*	1	Drip Pan
20	606707	*	*	*	*	4	Drip Pan Nail
21	606708	*	*	*	*	1	Knee Lifter Comp.
22	606709	*	*	*	*	2	Machine Hinge
23	606710	*	*	*	*	2	Machine Hinge Cushion
24	606711	*	*	*	*	4	Machine Cushion
25	606707	*	*	*	*	6	Nail

PARTS AVAILABLE AT EXTRA CHARGE



NO.	PART NO.	U73	U73B	U83	U83B	QTY.	DESCRIPTION
1	281840-383	*	*	*	*	1	Belt Guard Comp.
2	281833-383	*	*	*	*	1	Belt Guard (Upper)
3	281834-383	*	*	*	*	1	Belt Guard (Upper) Cover
4	549116	*	*	*	*	1	Belt Guard (Upper) Screw
5	504063-451	*	*	*	*	2	Belt Guard (Upper) Screw
6	543875-104	*	*	*	*	2	Belt Guard (Upper) Screw Washer
7	544241	*	*	*	*	1	Belt Guard (Upper) Screw Stud
8	281835-383	*	*	*	*	1	Belt Guard (Lower)
9	549398	*	*	*	*	2	Belt Guard (Lower) Wood Screw
10	543803-003	*	*	*	*	2	Belt Guard (Lower) Wood Screw Washer
11	541515-001	*	*	*	*	1	Cloth Guide
12	504030	*	*	*	*	1	Cloth Guide Thumb Screw
13	281822	*	*	*	*	1	Finger Guard
14	410076			*	*	1	Needle Plate Comp. (for Embroidery)

Part No.606626(1100)
Printed in China